



PROFESSIONAL VIDEO TRIPOD with Claw-Ball Fluid Head

Rapid setup, quick head leveling for a smooth even 360° pan, steady, shake-free operation and the ability to handle super VHS and Hi-8 cameras up to 15 pounds at a reasonable price, make the Samigon BSA650 the perfect tripod for the educational, industrial, wedding and advanced videographer.

The BSA650 has the traditional "claw-ball" head found on top of the line video tripods. It allows easy leveling, even on uneven ground, and a flat smooth even pan. The claw-ball head is featured on tripods which cost three times the price.

- **Claw-ball levelling assures even, horizontal panning**
- **30" - 59" height range**
- **All-metal fluid head**
- **3-section tandem legs**
- **Retractable rubber/spiked feet**
- **Aluminum alloy construction**
- **Anti "dump" mechanism**
- **Built-in bubble level**
- **Quick release plate**
- **Adjustable handle position**
- **For cameras up to 15lbs**

BSA650 Professional Video Tripod
BSA652 Spare Quick release plate for BSA650



*Recommended by
Dirck Halstead
Time Magazine's
Senior White House
Photographer*



ALL METAL FLUID HEAD



CLAW BALL LEVELLING

Specifications:
Height Closed: 27½"
Height Ext: 59"
Weight: 7 lbs.

Samigon offers a full range of sturdy, lightweight tripods for all photo needs: From the BSA602 (for lightweight rangefinder cameras and point & shoot cameras) to the BSA605 (rugged enough to handle an SLR with telephoto lens or a VHS video camera). Samigon Photo/Video tripods are strong, well-made and loaded with features.



Compact Universal Tripod #BSA602

Compact and lightweight. 3-section (20mm closed channel) with 3-way pan head, center leg brace, rubber tipped legs and convenient quick lock levers for individual leg adjustment.

Specifications:
Height Closed: 19"
Height Ext: 47"
Weight: 2.1 lbs.



BSA602 Photo/Video Tripod



Compact Photo/Video Tripod #BSA603

3-section (20mm square channel) with a 3-way oil-fluid panhead for smooth movements. Built-in, quick-release adapter with spring loaded video pin, and a bubble level. Crank center column allows exact height adjustment. Friction control to avoid camera drop. Locking center column brace for added stability. Rubber tipped legs.

Specifications:
Height Closed: 21½"
Height Ext: 53"
Weight: 3.1 lbs.

BSA603 Photo/Video Tripod



PERSONAL SERVICE IS OUR #1 PRIORITY



East: 111 Asia Place, Carlstadt, NJ 07072
West: 4055 W. Shaw Ave. #105, Fresno, CA 93722

(201) 939-7722
(559) 277-3572

FAX: (201) 939-7782
FAX: (559) 277-3574



Sturdy Photo/Video Tripod #BSA604

3-section (23mm square channel). 3-way oil-fluid pan head with fluid tensioning knob. Built-in quick release adapter with spring loaded video pin and bubble level. Crank center column with tension adjustment. Metal spikes/rubber feet & locking brace give added stability.

Specifications:

Height Closed: 23"
Height Extended: 56"
Weight: 3.6lbs.

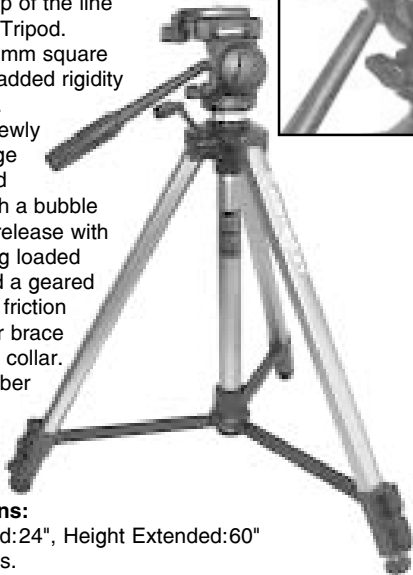


BSA604 Photo/Video Tripod



Pro Photo/Video Tripod #BSA605

Samigon's top of the line Photo/Video Tripod. 3-section (26mm square channel) for added rigidity and strength. Features a newly designed large 3-way oil fluid pan head with a bubble level. Quick release with built-in, spring loaded video pin and a geared elevator with friction collar. Center brace with lockable collar. Spiked & rubber tipped legs.



Specifications:

Height Closed: 24", Height Extended: 60"
Weight: 4.4 lbs.

BSA605 Photo/Video Tripod

EXTRA QUICK RELEASE PLATES

- BSA621 For BSA603 and 604
Note: Also fits Bilora quick releases
- BSA622 For BSA605
- BSA623 For BSA618



Photo/Video Tripod #BSA607

3-section (20mm closed channel). A handy, lightweight mini-tripod with a geared elevator center column, center brace, and rubber tipped, quick release legs. Pan head tilts for vertical and horizontal formats and has a quick release base.



Specifications:

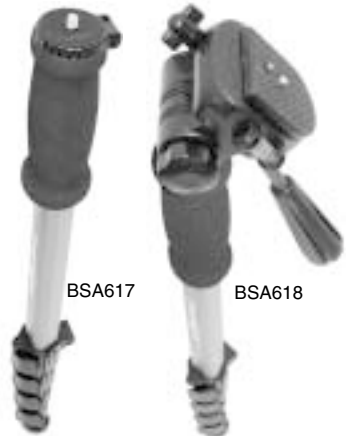
Height Closed: 10½",
Height Fully Extended: 20"
Weight: 24 oz.

BSA607 Photo/Video Tripod



Monopod #BSA617

This sturdy 5-section monopod weighs less than a pound. It has a flip lock leg with a rubber foot and a retractable steel spike for outdoor use. Non-slip rubber hand grip for comfort. Perfect for outdoor and sports photography. Height Closed: 19½" Extended: 63½" Weight: 14.2oz.



BSA617 Monopod w/Round Head



Monopod #BSA618

Sturdy 5-section tubular monopod with 2-way fluid head. Quick release with spring loaded video pin and bubble level. Flip lock legs with retractable steel spike for outdoor use. Rubber handle and hand strap for safety. Height Closed: 22 7/8", Extended: 67", Wgt: 1.85 lbs.

BSA618 Monopod w/Quick Release Head and Spirit Level

Testrite Unipod

Made of lightweight aluminum. Accommodates all standard video and still cameras. Made of three sections with two aluminum clutches. Complete with braided hand strap.

Specifications:

Height Closed: 23½"
Height Extended: 61"
Weight: 13 oz.



BTE213 Testrite Unipod

#3

FOR FAST DELIVERY CALL TOLL FREE!

EAST
1-888-ARGRAPH
OR 1-800-526-6290

WEST
1-888-WESTARG
OR 1-800-323-9069



Super Axis Tripods

Perfect for professional photographers, students, and advanced amateurs who need strength and sturdiness at a competitive price. Overall, the tension control and metal construction make the Super Axis tripods a stronger and sturdier product than other tripods in this price range.

- All metal 3-way head, all metal collars
- Tension control geared elevator
- Heavy duty legs

Super Axis Tripod #BSA2203

Specifications:

Height Closed: 23.6", Height Extended: 60"
 Weight: 3 lbs. 1 oz.
 .88" diameter legs

BSA2203 Super Axis Tripod

Super Axis Tripod #BSA2603

The BSA2603 has a tension control 3 way head.

Specifications:

Height Closed: 28", Height Extended: 61.6"
 Weight: 4 lbs. 9.5 oz.
 1.04" diameter legs

BSA2603 Super Axis Tripod



Quick Release for Super Axis Tripods

Rugged, all metal with a 1/4 x 20 female thread on base and 1/4 x 20 screw on the top plate. Works with all tripods that do not have a built-in quick release.



BSA2207 Quick Release

Samigon® Tripod Carry Bags

Protect and carry tripods in comfort and style

Fully padded. Adjustable shoulder strap.
 Black "pleather" material.



BSA635 Large Tripod Carrying Case (27 1/2") for BSA2603

BSA637 Medium Tripod Carrying Case (24") for BSA602, 603, 604, 605, 607, 617, 618 & 2203

Samigon® Deluxe Tripod Carry Bags

Deluxe Tripod Carry Bags
 Carry your tripods with extreme comfort

Fully padded. Adjustable shoulder strap.
 Extra pouch for your carrying needs.
 Black "pleather" material.



BSA633 Deluxe Tripod Carrying Case (27") for BSA2603

PERSONAL SERVICE IS OUR #1 PRIORITY



East: 111 Asia Place, Carlstadt, NJ 07072
 West: 4055 W. Shaw Ave.#105, Fresno, CA 93722

(201) 939-7722
 (559) 277-3572

FAX: (201) 939-7782
 FAX: (559) 277-3574



TENSION CONTROL BALL HEADS (TCB)

Iston Ball Heads are finely machined from aluminum alloy to give years of professional use. Models with Quick Release accept Hasselblad and Mamiya cameras directly, and all other cameras with the use of an adapter plate which is provided.

Designed for maximum convenience during photo shoots. The tension control provides adjustable friction for both the ball movement and panning action. With a minimum friction enough to hold the camera without locking, photographers are freed from constant locking/unlocking while shooting.

Medium Ball Head, TCB-8V

With extra-large top plate. Designed for view cameras. Brass 1/4" - 3/8" bushing adapter included.

Height: 4"
 Top Plate: 3" Diameter, Base: 1 3/4" Diameter
 Ball: 1 1/2" Diameter
 Screw: 3/8" (top), 3/8" (bottom)
 Weight: 585 gram (1.3 lbs.)
 Maximum Camera weight: 16 lbs.



BST285 Medium Ball Head TCB-8V

Tripod Adapter, AD-4 for TCB-4 and BH-4 Ball Heads

Allows TCB-4 and BH-4 heads to be used on tripods with larger top plate. Provides clearance for locking screws.

Height: 3/4"
 Top Platform: 1 1/2" Diameter, Base: 2" Diameter
 Bushing: 3/8" (top)
 Screw: 3/8" (bottom)
 Weight: 85 gram (3oz)



BST327 Tripod Adapter for TCB-4/BH-4 AD-4

Tripod Quick Release, QR-1 and QR-10

Automatically lock camera into position. Left hand unlocking lever frees right hand for holding the camera.

Positive locking allows for additional reinforcement. Accepts built-in camera plate from Hasselblad and Mamiya RB-67 cameras. Compact size with compact camera plate. Machined out of high quality aluminum alloy.



	Large QR-1	Small QR-10
Recommended Support:	16 lb.	8 lb.
Dimensions:	2 1/2" x 3 1/4" x 2/3"	2" x 2 3/4" x 2/3"
Weight:	135g (4.8 oz)	133g (4.7ozs)
Bottom Screw:	3/8" with 1/4" adapter	1/4"

BST301 Large Quick Release QR-1
 BST303 Small Quick Release QR-10

Mounting Plates for Quick Releases

The QR73 is an extra large plate for QR-1 and QR-10 quick releases.

Height: 3/8"
 Top Platform: 3" x 3"
 Screw: 3/8"
 Ball: 1 1/2" Diameter
 Weight: 95 gram (3.4 oz)
 Maximum Camera weight: 16 lbs.



Standard-size Replacement Plates for Quick Releases

BST312 Small Mounting Plate for QR-10 QR30
 BST316 Extra-large plate for quick releases QR73

samigon® Snap-Set Grip-Pod

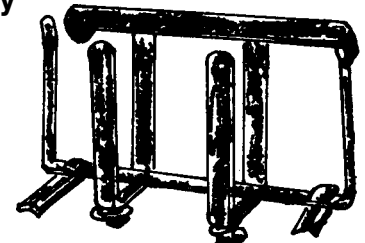
Use as a table-top tripod, camera grip or chest pod. Legs store internally and snap open automatically. Ball & socket head with finger-tip lock. Comfortable 6 1/2" hand grip. Non-skid feet for stability and safety. Height 7 1/2", leg spread 8", weight 7oz. Samigon blister. Master: 10.



BSA575 Snap-Set Grip-Pod

Testrite Tripod Caddy

Hooks onto legs of all tripods to hold video recorder. Adjustable, expandable. Aluminum black finish, 12 1/2" long, 3 1/2" to 5" deep.



BTE279 Tripod Caddy STA-2

samigon® Camera Bushings

Reduces 3/8" tripod thread on camera to 1/4 - 20 tripod thread.

BSA401 Pk/10, Camera Bushings



samigon® Round D-Ring

BSA961 D-Ring, Round, card/6 pair



FOR FAST DELIVERY CALL TOLL FREE!

EAST
1-888-ARGRAPH
 OR 1-800-526-6290

WEST
1-888-WESTARG
 OR 1-800-323-9069



**MAXIMUM STRENGTH
AND FLEXIBILITY**

The tongue in groove, continuous "O"-ring system, makes the case water, moisture, and dust tight. Low profile pressure release valve. High density cubed foam for customizing. Large separated hinges for maximum strength and flexibility. Exclusive 4-latch system. Large flanges allow for locking padlocks. Limited lifetime warranty.



BDO653B

**WATER, MOISTURE,
& DUST TIGHT!**



BDO654B

		<u>Inside Dim.</u>	<u>Outside Dim.</u>	
BDO653B	Large, Black	17 ¹ / ₈ x 12 x 7 ¹ / ₄	19 ³ / ₈ x 14 ¹ / ₄ x 8	65300
BDO654B	X-Large, Black	18 ⁷ / ₈ x 14 ¹ / ₄ x 8 ¹ / ₄	20 ³ / ₄ x 16 ¹ / ₂ x 9 ¹ / ₄	65400

DESIGNER SERIES Photo/Video Cases

- Strong injection molded, luggage grade material
- 4 layer soft foam interior cubed foam for customizing
- Deep molded valances • Positive locks

5 YEAR WARRANTY



		<u>Inside Dim.</u>	<u>Outside Dim.</u>
	Medium Case	11 ⁵ / ₈ x 7 ³ / ₄ x 5	12 ³ / ₄ x 9 ³ / ₈ x 5 ³ / ₈
	Large Case	17 ³ / ₄ x 11 ⁷ / ₈ x 6 ¹ / ₂	19 x 13 ³ / ₈ x 7
BDO62200	3-Pack of Medium Cases, Black		62200
BDO62300	3-Pack of Large Cases, Black		62300
BDO69002	Replacement Foam for Medium Case		69003
BDO69003	Replacement Foam for Large Case		69003

Replacement Foam

High density cubed foam allows for customization and protection of photo and video cases.

BDO695	For X-Large cases	69015
BDO696	For Large cases	69016

CUSTOMIZE CAMERA COMPARTMENTS

Replacement O-Ring Seals

Creates a water, moisture and dust tight seal for photo and video cases.

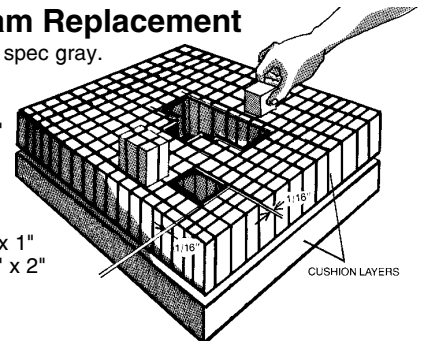
BDO69017	For Large Seal-Tight cases	69017
BDO69018	For X-Large Seal-Tight cases	69018

CPM/Delta Polyfoam Replacement

Fits any case. Hi-density, mil spec gray.

20410: 1 Piece-
Die-cut, 18" x 13" x 2"
with 1" x 1" x 2"
pull apart squares

20420: 2 Pieces-
One uncut, 18" x 13" x 1"
One die-cut, 18" x 13" x 2"
with 1" x 1" x 2"
pull apart squares



BCP20410	Polyfoam Replacement, 1 Piece	20410
BCP20420	Polyfoam Replacement, 2 Pieces	20420

PERSONAL SERVICE IS OUR #1 PRIORITY



East: 111 Asia Place, Carlstadt, NJ 07072
West: 4055 W. Shaw Ave.#105, Fresno, CA 93722

(201) 939-7722
(559) 277-3572

FAX: (201) 939-7782
FAX: (559) 277-3574

Fiberbilt Adapt-A-Case

FABRICATED (P-30 & P-31)

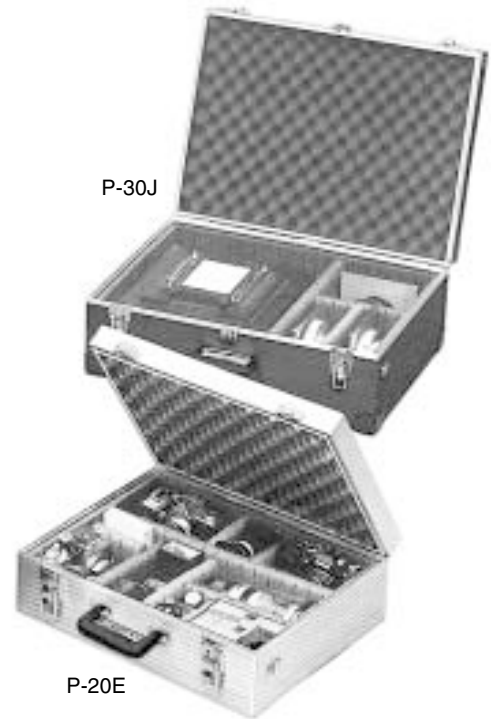
Lightweight yet rugged. Constructed of tough, wear-resistant, black polyplex. Features continuous piano hinge, steel reinforced corners, snap locks, and aluminum tongue & groove closure.

MODEL P-30 has a fully padded interior and comes with interlocking partitions. Additional partitions may be ordered.

MODEL P-31 has a diced foam interior which provides snug-fit protection for even the most delicate equipment.



P-31B



P-30J

ALUMINUM (P-20 & P-21)

This sleek models are designed for those who want a rigid, rugged case. They are suitable for both carrying and shipping. Features include one-piece, continuous piano hinge, maximum security draw lock and rubber gasket, tongue & groove closure for maximum dust and moisture protection.

MODEL P-20 has a fully padded interior and comes with interlocking partitions. Additional partitions may be ordered.

MODEL P-21 has a diced foam interior which provides snug-fit protection for even the most delicate equipment.



P-20D

P-20E

SIZE	ALUMINUM				FABRICATED			
	with Partitions		with Diced Foam		with Partitions		with Diced Foam	
	CODE	MODEL	CODE	MODEL	CODE	MODEL	CODE	MODEL
E (18 x 14 x 5)	BFC251	P-20E	BFC261	P-21E	BFC221	P-30E	BFC231	P-31E
B (22 x 16 x 5)	BFC252	P-20B	BFC262	P-21B	BFC222	P-30B	BFC232	P-31B
C (20 x 10 x 13)	BFC254	P-20C	---	---	BFC224	P-30C	---	---
D (18 x 14 x 8)	BFC255	P-20D	BFC265	P-21D	BFC225	P-30D	BFC235	P-31D
J (22 x 16 x 8)	BFC256	P-20J	BFC266	P-21J	BFC226	P-30J	BFC236	P-31J
A (22 x 16 x 10)	BFC257	P-20A	BFC267	P-21A	BFC227	P30A	BFC237	P31A

BFC988 Heavy Duty Shoulder Strap

BFC998 Diced Foam Sheet (22" x 16" x 7/8")

Fiberbilt Plastic Molded Cases, P-40/41

A durable silver high-impact plastic case, with an extra strong extruded aluminum frame that contains a full protective rubber gasket.

The case is further strengthened with a heavy duty continuous piano hinge and 2 strong chromed locks.

P-40 with removable partitions.

P-41 filled with diced foam.

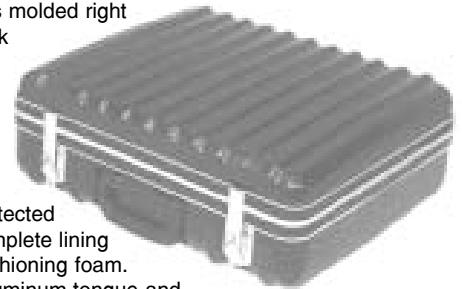


SIZE	with Partitions		With Diced Foam	
	CODE	MODEL	CODE	MODEL
16 x 11 x 5	BFC200	P-40L	BFC203	P-41L
18 x 13 x 6	BFC201	P-40XL	BFC204	P-41XL
20 x 14 x 6	BFC206	P-40Q	BFC207	P-41Q

Fiberbilt Plastic Molded Cases, P-70/71

Here's the case that can really take it! Incredible ruggedness is molded right into this lightweight black polyplex Adapt-A-Case.

Sophisticated girder-rib engineering does the trick—makes it strong enough to stand on! Delicate & expensive equipment is further protected within the case by a complete lining of extra-thick, super cushioning foam. Rubber gasket in the aluminum tongue-and-groove closure provides maximum dust & moisture protection. P-40 with removable partitions. P-41 filled with diced foam.



SIZE	with Partitions		With Diced Foam	
	CODE	MODEL	CODE	MODEL
18 x 14 x 6	BFC210	P-70M	BFC212	P-71M
22 x 16 x 6	BFC211	P-70R	BFC213	P-71R

FOR FAST DELIVERY CALL TOLL FREE!

EAST
1-888-ARGRAPH
OR 1-800-526-6290

WEST
1-888-WESTARG
OR 1-800-323-9069



SEAHORSE Watertight Equipment Cases

Quality, Features and Prices
Protect Your Profits and
Crush "Brand P"

- **Automatic Purge Valve:**
Automatically equalizes air pressure when you open the latch.
- **Watertight and Airtight**
- **Dustproof and Rugged**
- **Non Corrosive Hinge Pins**
- **Closed Hinges for Added Strength**
- **Padlock holes**
- **Exceeds Military Standards**
- **UV Protected**
- **Pick & Pluck Foam Interior**
- **Unconditional Lifetime Guarantee**

To specify color add one of the following letters at the end of the item number:
B= Black, **G**=Gray/Gun Metal, **Y**=Yellow, **O**=Orange i.e. BSE120FY = Yellow Case
(If no color is specified, we will ship black)

Model#	Inside Dim.(in.)	Outside Dim.(in.)	Mfg#
Hurricane Watertight Equipment Cases			
BSE120F	7.3 x 5 x 3.23	8.7 x 7.45 x 3.9	SE120F
BSE300F	9.6 x 7.42 x 4	10.80 x 9.85 x 4.87	SE300F
BSE520F	13.50 x 9.8 x 6	14.90 x 12.13 x 6.88	SE520F
BSE710F	18.29 x 13.19 x 4.57	19.75 x 15.80 x 5.413	SE710F
BSE720F	18.29 x 13.19 x 6.62	19.75 x 15.53 x 7.48	SE720F
Hurricane Watertight Equipment Cases with Metal Locks			
BSE120FM	7.3 x 5 x 3.23	8.7 x 7.45 x 3.9	SE120FML
BSE300FM	9.6 x 7.42 x 4	10.80 x 9.85 x 4.87	SE300FML
BSE520FM	13½ x 9.8 x 6	14.90 x 12.13 x 6.88	SE520FML
BSE710FM	18.29 x 13.19 x 4.57	19¾ x 15.53 x 5.413	SE710FML
BSE720FM	18.29 x 13.19 x 6.62	19¾ x 15.80 x 7.48	SE720FML
Hurricane Watertight Equipment Cases with Dividers			
BSE520D	3.50 x 9.8 x 6	14.90 x 12.13 x 6.88	SE520D
BSE720D	18.29 x 13.19 x 6.62	19.75 x 15.53 x 7.48	SE720D
BSE1220D	25.52 x 19.5 x 13.08	28.17 x 22.27 x 15.10	SE1220D

Models listed include Pick & Pluck Foam (except computer case). Also available as special order:
SE Series without foam; **SE Series** with Chromed Metal, Keyed Locks; **SE Series** with Latches with Plastic Locks & Keys (Non Corrosive, Saltwater safe); **SX Series** - Heavy Duty - Fire retardant - Available in Black only



Case with Dividers

Sealife
Moisture Muncher
DRYING AGENT



Protects against corrosion, fogging and mildew by absorbing the air's moisture in a sealed container. Each pack contains three 1oz. bags.

ASL101

PK/10 Moisture Muncher

HURRICANE SE 1220F

Oversized Watertight Carrying Case with Wheels

(Available only in Black)



- Watertight, airtight and dustproof
- Impact resistant design and materials
- Large three-inch "wide track" heavy duty wheels for maximum stability
- Telescoping easy-pull handle for steady control and ease of transport
- Comfortable, front and side easy-grip handles
- Six easy-open latches, available with individually-keyed chromed metal or plastic generic locks mounted into the latches
- Five-layer protective Acuform foam
- Risk-free Automatic Purge System
- Molded-in padlock holes (fit most standard-size Masterlocks®)

The Biggest, Baddest Case Ever!

Model#	Inside Dim.(in.)	Outside Dim.(in.)	Mfg#
BSE1220F	25½ x 19½ x 13	28 3/16 x 22¼ x 15 1/8	SE1220F

HURRICANE COMPUTER CASE

- Lid Organizer
- Padded Shoulder Strap
- Metal Locks
- Fitted Shock Absorbing Bottom

(Available only in Black)



Model#	Inside Dim.(in.)	Outside Dim.(in.)	Mfg#
BSE710CC	18.29 x 13.19 x 4.57	19¾ x 15.80 x 5.413	SE710CC

PERSONAL SERVICE IS OUR #1 PRIORITY



East: 111 Asia Place, Carlstadt, NJ 07072
West: 4055 W. Shaw Ave.#105, Fresno, CA 93722

(201) 939-7722
(559) 277-3572

FAX: (201) 939-7782
FAX: (559) 277-3574

Discover why photographers and dealers love...



MULTI Camera Bags



Easy to Order! Display! and Sell!

Just a dozen bags in the entire MULTI line, yet they can hold all of today's most popular digital & film, cameras & camcorders and their accessories!

The Most Versatile, Feature-Packed, Functional Camera Bags

MULTI Camera Bags have the most features per dollar and the best quality workmanship in the camera bag industry.

MULTI Camera Bags come with:

- Two padded, dual adjustable shoulder straps. Can be carried as a shoulder bag, backpack, or a chestpack.
- Protective jacket that covers the entire bag.
- Dual closure-zipper and front buckle opening/closing.
- Ultra-soft, non-abrasive, digital-friendly interior lining.
- Very protective, hugging rainflap.
- Internal passport pocket. • Deep, usable mesh pocket in the lid.
- Useful front pocket with an elastic divider.
- Large belt loop behind each MULTI camera bag.
- Thick closed cell foam and plastic panel inserts for extra protection.
- Rubber bungee straps for carrying accessories below the bag such as: wind-breaker, gloves, umbrella, small tripod, etc.
- Meshing on rear of bags and modular belt for extra comfort against skin.
- Lifetime warranty on workmanship and materials with normal use of the bag.

The most comfortable and user-friendly modular system in the photo industry

By utilizing the two padded, dual adjustable shoulder straps that come with each MULTI CameraBag, it can be carried as a shoulder bag, backpack, or a chestpack.



Here's what they're saying about M-ROCK Bags:

" Thanks again for creating a product of such quality. It's so easy for me to sell your products because I honestly think they are one of the best systems out there—SYSTEMS being the operative word.

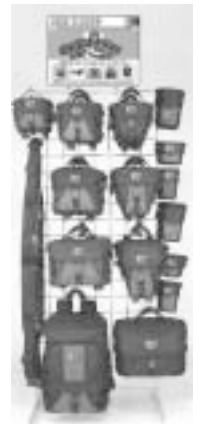
It's a no-brainer for most of my customers once I show them." Dan, F-Stop Camera

**"The camera bag of my dreams!
Awesome just awesome!"** Michael M.

BMRGDSP Grid Display (68 pcs)

- | | |
|--------------------------|--------------------------------|
| (8) 88001 Rocky Mountain | (6) 88008 Mesa Verde |
| (6) 88002 Yellowstone | (6) 88009 Cascade |
| (4) 88003 High Sierra | (6) 88010 Appalachian |
| (5) 88004 Glacier Bay | (2) 88011 Everglades |
| (5) 88005 Grand Canyon | (8) 88012 Yosemite |
| (4) 88006 Modular Belt | (2) 88015 Great Smoky Mountain |
| (6) 88007 Niagara | |

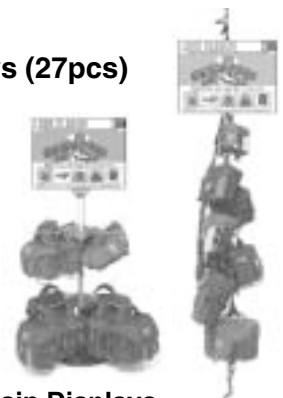
Includes Grid Rack & 22 hooks



BMRCTDSP Counter Top & Chain Displays (27pcs)

- | |
|--------------------------|
| (3) 88001 Rocky Mountain |
| (2) 88002 Yellowstone |
| (2) 88003 High Sierra |
| (2) 88004 Glacier Bay |
| (2) 88005 Grand Canyon |
| (2) 88006 Modular Belt |
| (2) 88007 Niagara |
| (3) 88008 Mesa Verde |
| (3) 88009 Cascade |
| (3) 88010 Appalachian |
| (3) 88012 Yosemite |

Includes 1ea: Counter Top & Chain Displays





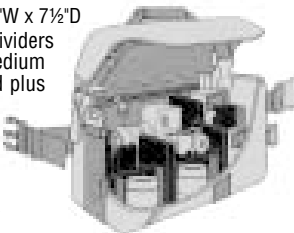


FOR FAST DELIVERY CALL TOLL FREE!

EAST
1-888-ARGRAPH
OR 1-800-526-6290

WEST
1-888-WESTARG
OR 1-800-323-9069

SQUARE GADGET BAGS




<p>88001 Rocky Mountain 4½"H x 5½"W x 2½"D</p>  <p>Perfect for digital or 35mm point-and-shoot cameras. Interior elastic holds tiny cameras or accessories. Also good for binoculars, cellular phones, other small electronics.</p>	<p>88009 Cascade 5¼"H x 6¼"W x 3¼"D</p>  <p>Holds digital camcorders, cameras, and is sized just right to hold a portable CD player and a few CDs.</p>	<p>88004 Glacier Bay 6½"H x 7"W x 4¼"D</p>  <p>Multi-purpose! Comes with a removable lens cradle for SLR use with up to a 4" lens attached, and an adjustable divider for digital cameras, camcorders and their accessories.</p>	<p>88005 Grand Canyon 6¾"H x 9½"W x 4¾"D</p>  <p>Holds all SLR camera body styles, with room for 2 lenses and a flash, or digital cameras and camcorders. Removable lens rest and two adjustable dividers.</p>	<p>88011 Everglades 9"H x 11"W x 7½"D</p>  <p>One lens rest and 8 adjustable dividers provide room for one SLR or medium format body with a lens attached plus additional space for 5 to 8 photo accessories.</p> <ul style="list-style-type: none"> • 3 pockets: Large detachable pocket inside lid, passport pocket, and front pocket • Support Belt: Provides support against the bounce. • Thick closed cell foam and plastic panelling behind all 6 surfaces of the bag provide excellent protection and structural rigidity.
---	--	--	--	---

88006 MODULAR BELT

Fits waist sizes 26" to 60"
Holds any one MULTI bag (except 88011 and 88015) and two modular pouch bags.



TOP-LOAD HOLSTER BAGS

<p>88010 Appalachian 5¾"H x 6"W x 3¼"D</p>  <p>Holds smaller digital or 35mm SLR camera body styles with up to a 3" lens attached.</p>	<p>88002 Yellowstone 6¼"H x 7"W x 4"D</p>  <p>Holds all digital or 35mm SLR camera body styles with up to a 4" lens attached.</p>	<p>88003 High Sierra 8¾"H x 7½"W x 4"D</p>  <p>Holds all digital or 35mm SLR camera body styles with up to a 6" lens attached. Sewn in flap gives option to divide interior.</p>	<p>"I wanted to tell you how great the High Sierra is. I don't think there is a better product made. That case has saved my camera so many times already that it has paid for itself many times over. I even jumped from an airplane with it. That thing is really tough. Thanks for the great product." William M.</p>
---	--	---	---

88015 GREAT SMOKY MOUNTAIN

The Most Comfortable Photo-Backpack ever created and... it's pretty clever too!

Created by one of Colorado's best backpack designers first, with M-ROCK's unique camera bag features implemented second, resulting in the most comfortable and functional backpack in the photographic industry!



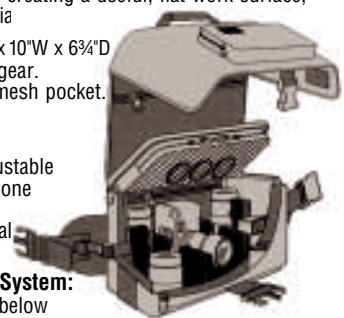
Backpack Technology: Aluminum frame for extra support and comfort. Well padded adjustable shoulder straps, complemented by an extremely comfortable neoprene waist-belt with compression straps and quick release buckle.

Work Surface: The top section pulls away from the bottom section in reverse fashion, creating a useful, flat work surface, with water resistant materia

Top Hiking Section: 7"H x 10"W x 6¾"D
Plenty of room for hiking gear. Removable pocket and a mesh pocket.

Bottom Photo Section:
8"H x 10"W x 7½"D
One lens cradle and 5 adjustable dividers provide room for one SLR body with a lens attached, plus an additional 4 to 5 photo accessories.

Unique Tripod Carrying System:
Slide tripod through loop below backpack. Pull draw-string cords on both sides to secure tripod.



MODULAR POUCH BAGS

<p>88007 Niagara 7"H x 4"W x 3½"D</p>  <p>Holds lenses up to 7" long. Velcro arms for attaching to sides of MULTI Camera Bags and Modular Belt. Water bottle holder.</p>	<p>88008 Mesa Verde 3½"H x 3¾"W x 2¼"D</p>  <p>Holds mini-digital and 35mm point and shoot cameras. Velcro arms for attaching to sides of MULTI Camera Bags and Modular Belt.</p>	<p>88012 Yosemite 5¾"H x 6"W x 3¼"D</p>  <p>Perfect for a small digital camera! Can be carried on shoulder, looped on the belt of pants, or attached to MULTI Camera Bags and Modular Belt!</p>
--	---	---

To specify color, add one of the following letters at the end of the item number:

B= All Black **G=** Black /Green
N= Black /Navy **U=** Black/Burgundy

i.e. **BMR88009N=** Casacade, Black /Navy Case (If no color is specified, we will assort based on overall sales ratios)

*88006 and 88011 - All Black Only.

**88003 - All Black and Black/Navy Only.

***88015 - Black/Navy and Black/Green Only

BMR88001__ Rocky Mountain	88001	BMR88008__ Mesa Verde	88008
BMR88002__ Yellowstone	88002	BMR88009__ Cascade	88009
**BMR88003__ High Sierra	88003	BMR88010__ Appalachian	88010
BMR88004__ Glacier Bay	88004	*BMR88011__ Everglades	88011
BMR88005__ Grand Canyon	88005	BMR88012__ Yosemite	88012
*BMR88006__ Modular Belt	88006	***BMR88015__ Great Smoky Mountain	88015
BMR88007__ Niagara	88007		

PERSONAL SERVICE IS OUR #1 PRIORITY



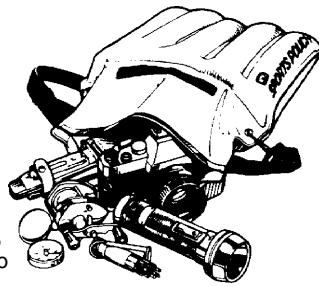
East: 111 Asia Place, Carlstadt, NJ 07072
West: 4055 W. Shaw Ave.#105, Fresno, CA 93722

(201) 939-7722
(559) 277-3572

FAX: (201) 939-7782
FAX: (559) 277-3574

Sima Sports Pouch*Waterproof, Shock Resistant Carry-all*

Sports Pouch protects all your valuable and fragile equipment from water, dust and other damage with cushions of air. And because it inflates- it floats. The perfect lightweight rugged carry-all for outdoor activities- boating, camping, travel and photography. Available in two models in a highly visible yellow.



ASP084	Regular Sports Pouch, 14" x 12"	SPY-06
ASP033	Super Sports Pouch, 17" x 17"	SPS-Y

CPM/Delta Propouch 911

Stores, protects, and organizes your valuable equipment. Perfect for lenses, light meters, film backs, film filters, etc. High density foam provides maximum insulation and shock protection. Fold-over flap with a full 36 sq. inches of industrial grade velcro offers positive closure. Size: 9" x 11"

21-9120: RANCHYDE VINYL, black with glove grade lining.

21-9125: CORDURA, rugged high-abrasion, water resistant pouch for tough handling in any environment.



ECP367	Super Rugged Cordura	20130
ECP386	Ultra Lite Nylon	20110

CPM/Delta Propouch 911 with Leadshield

X-ray protected. Lined with Leadshield, heavy gauge flexible lead vinyl. Leadshield will not crack or split with heavy usage. Protects all photographic film including ISO 3200. Made in USA. Size: 9" x 11"

ECP388	Cordura with Leadshield	20140
--------	-------------------------	-------

CPM/Delta Focusing Cloth

This classic focusing and field cloth is constructed of 100% American cotton, making it cooler, lighter, more durable and more snag resistant than the conventional double-knit polyesters. The front is flat white, the reverse dead black. One edge is covered with a velcro strip, allowing the cloth to close around the largest camera or smallest telephoto lens. Each corner has velcro strips which can be attached to each other or to the velcro weights. Each weight has velcro on both sides, allowing unlimited weights to be piggybacked for special field requirements.

BCP219210	White/Black 36" x 48"	20310
BCP219220	White/Black 48" x 60"	20320

**"SOFF STRETCH" Neoprene Shoulder Straps**

Made of stretchable neoprene, allowing for total movement and freedom, yet providing important support for even your most expensive equipment.



BSA925	1½" Black/Neoprene
--------	--------------------

Samigon® Straps

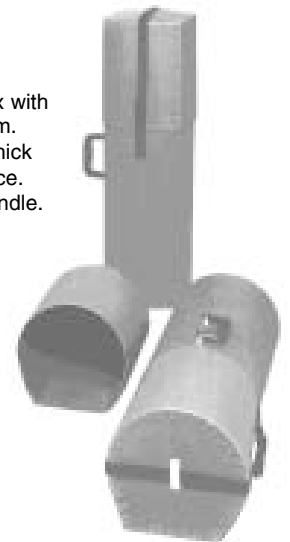
Slip-proof rubber woven into strap. Extra-strong safety construction. Surelock clasp. Narrow ends fit Maxxum, Canon T Series, etc. Packed in poly bags of 6



BSA943	Tan/Black
BSA945	Gray/Black
BSA946	Navy/White
BSA949	Yellow/Black

Fiberbilt Adjustable Tripod Cases, P-508

Protects tripod for storage and transport. Constructed of rugged heavyweight polyplex with puncture resistant plywood reinforced bottom. Flat side prevents rolling. The cover has a thick rubber pad to hold the tripod securely in place. Heavy-duty web strap and large carrying handle. Cases are adjustable in length as indicated.



	Min. Length	Max. Length	Inside Dia.
BFC291	30" to	40"	8½"
BFC292	40" to	50"	8½"
BFC293	30" to	40"	10"
BFC294	40" to	50"	10"
BFC295	55" to	65"	10"

FOR FAST DELIVERY CALL TOLL FREE!

EAST
1-888-ARGRAPH
OR 1-800-526-6290

WEST
1-888-WESTARG
OR 1-800-323-9069



Screw-Lock, Heavy-Duty Cable Releases

With flexible black covering, chrome plated hardware and screw lock for time exposures. Rotating screw-in fitting. Samigon blister pack.

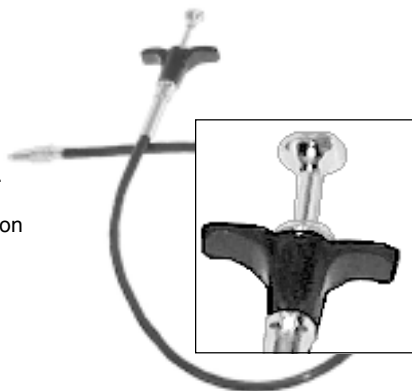


- BSA882 12" Heavy-duty release w/screw lock
- BSA883 20" Heavy-duty release w/screw lock
- BSA884 40" Heavy-duty release w/screw lock



Heavy-Duty, Auto Disc Lock Cable Releases

Our top quality cable release. Extremely flexible and trouble-free. Same construction as above, but with auto-disc lock instead of screw lock. Samigon blister pack.



- BSA892 12" Heavy-duty release w/auto lock
- BSA893 20" Heavy duty release w/auto lock
- BSA894 40" Heavy duty release w/auto lock



12" Metal/Vinyl Release

A quality woven metal cable release. Clear vinyl covered for extra durability and ease of handling. Screw lock for time exposures. Fingertip wings. Samigon blister pack.



- BSA842 12" Metal/Vinyl w/lock



Self Timer

Fits the cable release sockets of cameras and provides variable time delay for self-portraits.



- BSA831 Self-timer



20ft. Air Release

Provides a remote control system for most cameras. Smooth, easy, instantaneous action makes this an excellent tool for unobtrusive photographic work, such as photographing children, birds, etc. Air release is 20ft. long and comes wound on a plastic drum for carrying convenience. Samigon blister pack. Master: 10.



- BSA871 20ft. Air Release



Spirit Levels

Spirit levels mount in camera accessory shoe to keep cameras level. This is especially important when using wide angle lenses. Made of clear plastic with accessory shoe mount on bottom. Two models are available: single bubble and double bubble. Double unit will align vertical and horizontal planes simultaneously. Single unit measures 3/4" x 3/4" x 3/4", Double unit measures 1 3/4" x 3/4" x 1". Samigon blister pack. Single-Master:12; Double-Master:10.



- BSA543 Single Spirit Level
- BSA544 Double Spirit Level

PERSONAL SERVICE IS OUR #1 PRIORITY



East: 111 Asia Place, Carlstadt, NJ 07072
West: 4055 W. Shaw Ave.#105, Fresno, CA 93722

(201) 939-7722
(559) 277-3572

FAX: (201) 939-7782
FAX: (559) 277-3574

B-12

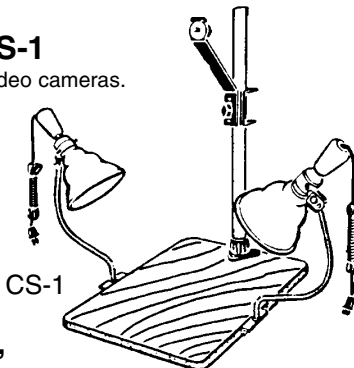
Copy Stands & Lights

Testrite Copy Stand, CS-1

Capable of holding small 35mm & video cameras.

- Wood baseboard 14" x 19"
- One piece chrome plated steel post. 1 1/4" dia. x 23"H
- Sliding steel arm
- Total height of camera 27" over base board

BTE020 Copy Stand



CS-1

Copy Stand with lights, CS-1L (Shown)

Model CS-1 packaged complete with 2 light units that attach to baseboard. Complete with cords, swivels, sockets, & reflectors. Uses 75 watt maximum bulbs. (bulbs not included)

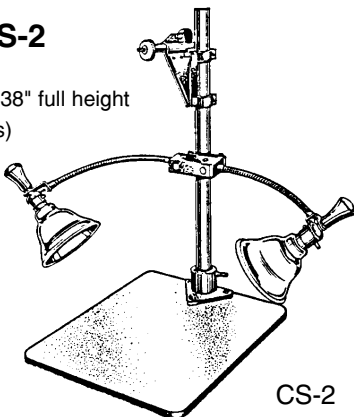
BTE025 Copy Stand & Lights

CS-1L

Testrite Copy Stand, CS-2

- Sturdy 16" x 19" x 3/4" baseboard
- Two 1 1/2" diameter, 19" long posts. 38" full height
- Sliding arm (has four roller bearings) for easy camera height adjustment
- Camera bracket permits centering of camera over work

BTE030 Copy Stand



CS-2

Copy Stand with lights, CS-2/23 (Shown)

Model CS-2 packaged with No. 23C lights to attach to centerpost as shown above. Uses 75 watt maximum bulbs. (bulbs not included)

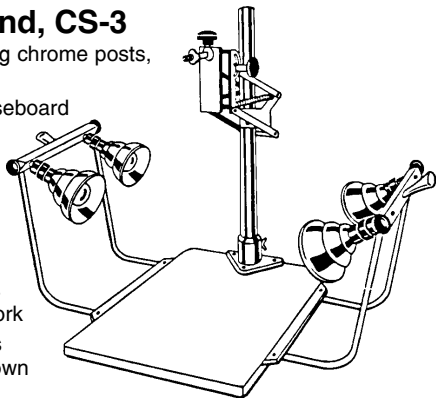
BTE035 Copy Stand w/lights

CS-2/23

Testrite Copy Stand, CS-3

- Two 1 1/2" diameter, 19" long chrome posts, 38" full height
- Sturdy 16" x 22" x 3/4" baseboard
- Camera bracket permits centering of camera over work
- Parallelogram camera shape allows fast camera height adjustment while maintaining parallel planes between camera and artwork
- Post locking feature allows full travel of arm up and down entire length of posts

BTE040 Copy Stand



CS-3

Copy Stand with lights, CS-3/2344 (Shown)

Model CS-3 packaged with No. 23-4 lights to attach to baseboard as shown. Uses 75 watt maximum bulbs. (bulbs not included)

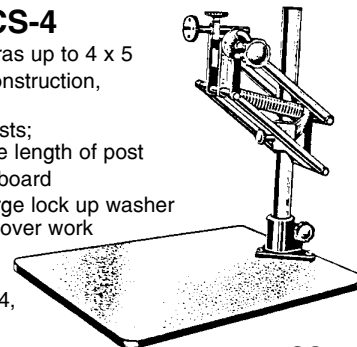
BTE045R Copy Stand w/lights

CS3/2344

Testrite Copy Stand, CS-4

- Heavy-duty unit suitable for cameras up to 4 x 5
- Heavy duty, rigid parallelogram construction, 3" longer than CS-3 arm
- Two 1 1/2" dia., 19" long chrome posts; 38" full height arm can travel entire length of post
- Extra sturdy 19" x 23" x 3/4" baseboard
- Extra long camera bracket with large lock up washer permits easy centering of camera over work
- Uses 75 watt maximum bulbs (not included). Accommodates the following copy lights: 23C, 23-4, 45, CDL, 35-2, 35-4, 50CL

BTE050 Copy Stand



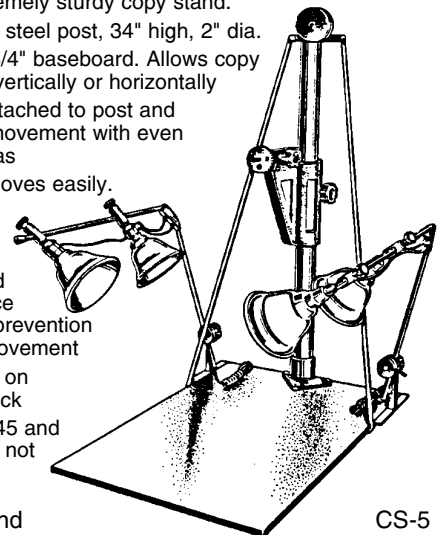
CS-4

Testrite Heavy Duty Copy Stand, CS-5

Designed for schools, hospitals, and professional photographers who require a heavy-duty, extremely sturdy copy stand.

- One-piece chrome-plated steel post, 34" high, 2" dia.
- Extra sturdy 20" x 30" x 3/4" baseboard. Allows copy of 30" x 20" prints either vertically or horizontally
- Counterbalance spring attached to post and camera arm for smooth movement with even the heaviest 4 x 5 cameras
- Heavy duty sliding arm moves easily. Rod for added extension. Permits centering over copy material.
- Sturdy struts are attached from top of counterbalance to the baseboard for the prevention of vibrations & camera movement
- Extra large locking knobs on camera rod for positive lock
- Will accommodate 23-4, 45 and 50CL Copy Lights (Lights not included). 75 watt max.

BTE055 Copy Stand

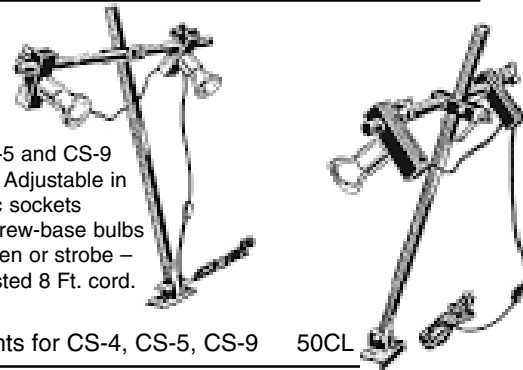


CS-5

Testrite Copy Lights, 50CL

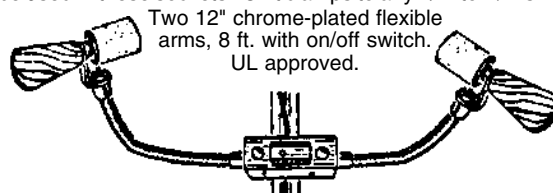
Suitable for CS-4, CS-5 and CS-9 Testrite Copy Stands. Adjustable in all directions. Ceramic sockets accept all standard screw-base bulbs – incandescent, halogen or strobe – up to 250 watts. UL listed 8 Ft. cord.

BTE017 Copy Lights for CS-4, CS-5, CS-9 50CL



Testrite Copy Lights, 23P

Similar to 23C (BTE005) in design, but with two porcelain sockets which enables the use of high wattage reflector type bulbs. Aluminum reflectors cannot be used in these sockets. Unit clamps to any 1/2" to 1 1/2" size post.



BTE011 Copy Lights (Bulbs Not Included)

23P

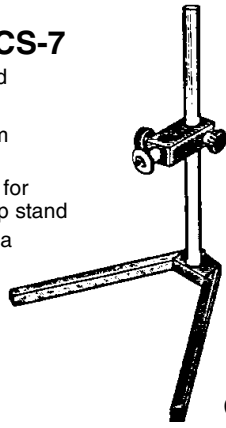
FOR FAST DELIVERY CALL TOLL FREE!

EAST
1-888-ARGRAPH
OR 1-800-526-6290

WEST
1-888-WESTARG
OR 1-800-323-9069

Testrite Mini Copy Stand, CS-7

- Portable, all aluminum & steel copy stand
- Angled legs easily disassemble
- Chrome-plated 18" steel post & aluminum sliding arm with large locking knobs
- Camera copy rod can be set horizontally for copying or vertically for use as a table top stand
- Open legs allow the unit to be placed on a glass for special lighting effects
- Rubber tips on legs & alignment control knob in back of steel post
- Uses #23C copylights (not included)

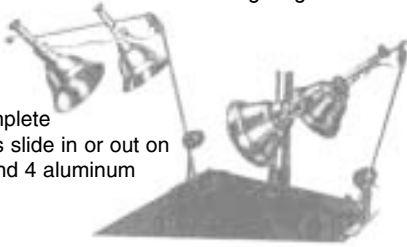


CS-7

BTE070 Mini Copy Stand

Testrite Copy Lights, 45

Designed to do both studio and copy work. These lights can be swiveled almost horizontal to the board for skim or texture lighting effects or can be raised almost vertically with camera, or set 45° for copy work. Attaches to any wood baseboard. Comes complete with 2 swivels, 4 sockets slide in or out on 1/2" aluminum tubing, and 4 aluminum reflectors.

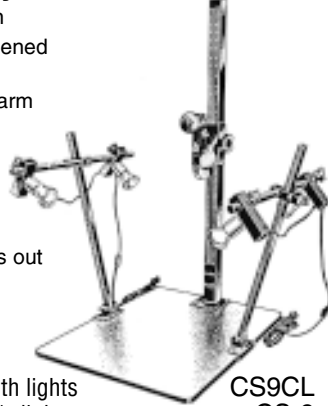


45

BTE015 Copy Lights (Bulbs Not Included)

Testrite Heavy Duty Copy Stand, CS9CL

- Rigid construction eliminates vibration
- 1 1/2" x 1 1/2" x 36" steel post is silk screened with inch and centimeter scales
- Heavy-duty sliding counter-balanced arm with unique squareness adjustment
- 20" x 30" x 3/4" wood baseboard with light reading gray scale covering to check for even illumination over the entire board
- Camera rod and lock-up knob extends out up to 3". Height adjustment from baseboard is 7 1/2" to 36 1/2"
- Uses 75 watt maximum bulbs.



CS9CL
CS-9
50CL

BTE095 Heavy Duty Copy Stand with lights
BTE090 Heavy Duty Copy Stand w/o lights
BTE017 Copy Lights Only

Testrite Copy Lights, 23-44

Used with CS-2 and CS-3 Copy Stands as well as with Foto largers. Four lights provide even illumination when copying larger originals. Unit fastens to side of baseboard by screws. Red safety knob permits "cool and easy" adjustment. Reflector type bulbs recommended (not included). 75 watt maximum.

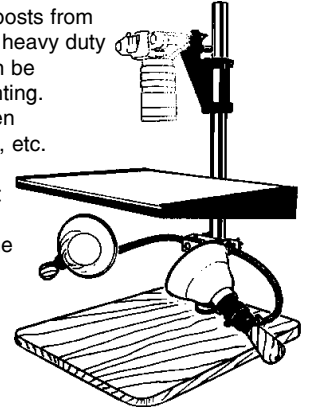


23-44

BTE010R Copy Lights w/reflectors

Testrite Adjustable Copy Stage, CS1417

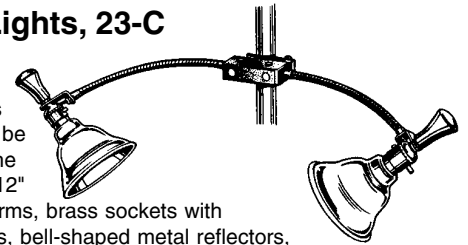
Fits all copy stands with square or round posts from 1/2" to 1 1/2" in size. Removable opal acrylic heavy duty top with 14" x 17" open area. Subjects can be illuminated from below for shadowless lighting. Also used for photomacrography, specimen photography and for copy graphics, slides, etc. Increases the use of thousands of copy stands on the market. Adjustable in height on the copy stand by a "V" shaped clamp that attaches to the post. Copy stage frame is black finished aluminum. Illustration shows copy stage mounted on Testrite's No. CS2-23C copy stand with lights (not included in price of copy stage). Uses 75 watt maximum bulbs.



BTE071 Adjustable Copy Stage

Testrite Copy Lights, 23-C

Fits any post from 1/2" to 1 1/2" with a "C" clamp arrangement that makes it simple for the lights to be raised and lowered on the post. Also features two 12" chrome-plated flexible arms, brass sockets with individual on/off switches, bell-shaped metal reflectors, 8 ft. cord & plug. Cool handling wood knobs. Uses 75 watt maximum bulbs. (Bulbs & stand not included).

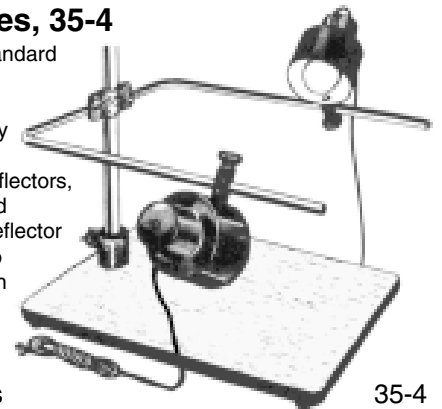


23-C

BTE005 Copy Lights

Testrite Copy Lites, 35-4

Uses 75 watt maximum standard bulbs (not included). A four light unit for larger copying work. Fits any copy stand with post up to 1 1/2" diameter. Black finished reflectors, 4" diameter, easily adjusted as illustration shows one reflector in down and the other in up position. Reflectors slide on U-shaped arm.



35-4

BTE009 Copy Lights

Recommended Testrite Combinations

Copy Stand	Copy Lights (Sold without Bulbs)
CS-1	IL (not sold sep.), 23C, 35-2, 35-4
CS-2	23C, 23/4, 45, 35-2, 35-4
CS-3	23C, 23/4, 45, 35-2, 35-4
CS-4	23C, 23/4, 45, 35-2, 35-4, 50CL
CS-5	23C, 23/4, 45, 35-2, 35-4, 50CL
CS-7	23C

Note: Samigon AC Slave Flashes are ideal for Copy Stand Illumination. See Page C-1.

PERSONAL SERVICE IS OUR #1 PRIORITY

ARGRAPH
CORP.

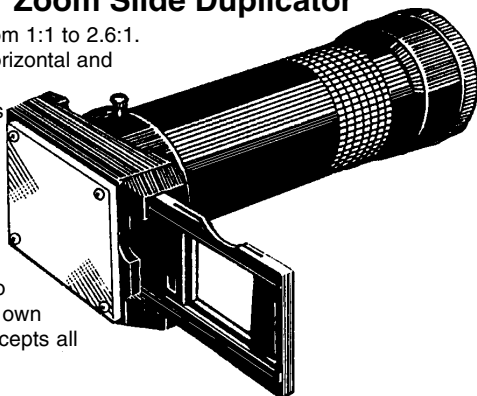
East: 111 Asia Place, Carlstadt, NJ 07072
West: 4055 W. Shaw Ave. #105, Fresno, CA 93722

(201) 939-7722
(559) 277-3572

FAX: (201) 939-7782
FAX: (559) 277-3574

samigon® Zoom Slide Duplicator

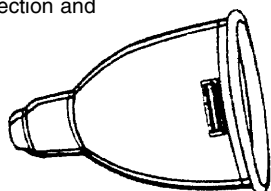
Image magnification from 1:1 to 2.6:1. Duplicator allows for horizontal and vertical movement of slide so that cropping is possible. This allows for enlargement of a portion of the slide, making possible different compositions from the original slide. The unit fits directly into the camera and has its own optical lens system. Accepts all T-Mounts.



BSA712 Zoom Duplicator

Testrite Bell Reflector, BR-1

Screws into socket to offer protection and reflection of bare copy lights. 5 1/4" diameter, 4" long.



BTE436 Bell Reflector

BR-1

CPM/Delta Magnetic Base

A powerful magnetic base with 1/4" - 20 tripod and 3/8" and 5/8" stand adapters. Use to lift, secure, position and hold hard-to-handle items. Shown is an 8" x 10" black heavy steel plate with multiple holes. Attaches to walls and tripods.



BCP242230 100 lb. magnetic base 46160

BCP242235 175 lb. magnetic base 46170

CPM/Delta Effects Kit 1

Four hi-key/low-key vignette effects flags. Produces fade-in/fade-out effects, soft edges, and black or white vignettes. Fits all 4 1/2" square holders and shades.



BCP242190 Effects Kit 1 46120

CPM/Delta Light Stand Arm

20 different combinations are possible. Flexible for placement of gobos, reflectors, flags, small lights and flash heads with 120° tilt and 360° rotation. Fits male/female 1/4" - 20 tripod threads, male/female 3/8" and 5/8" light stands. Also available with a large clamp.



Light Stand Arm with Clamp shown.

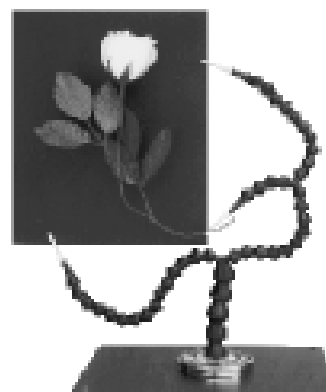
BCP242160 Light Stand Arm 46060

BCP242170 Light Stand Arm with Clamp 46070

BCP242130 Single Arm, Dual Large Clamp 46030

CPM/Delta Dual Arm, Triple Clamp, Magnetic Base, Plate

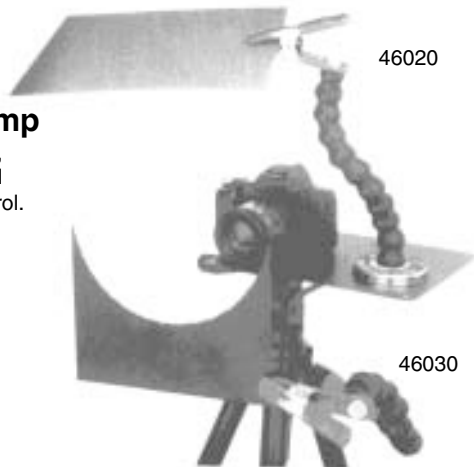
Perfect for table top photography of small objects, etc. 1/2" and 3/4" plastic segmented fittings.



BCP242100 Dual Arm, Triple Clamp, Magnetic Base, Plate 46010

CPM/Delta Single Arm, Dual Large Clamp

Holds gels, gobos, flags, and reflectors for special effects and lighting control. (Picture shown with Light Stand Arm, BCP242160.)



BCP242110 Single Arm, Clamp, Magnetic Base, Tripod, Wall Plate 46020

BCP242130 Single Arm, Dual Large Clamp 46030

FOR FAST DELIVERY CALL TOLL FREE!

EAST
1-888-ARGRAPH
OR 1-800-526-6290

WEST
1-888-WESTARG
OR 1-800-323-9069